



## flexi-work cantilever frame chair datasheet

---

### Extent of Range

Flexi-work chairs with cantilever, 4 leg, raised polished base and 5 star base with optional tilt mechanisms.



---

### Features

**Type:** Cantilever chair.

**Back:** Perforated polypropylene curved back in a range of colours.

**Seat:** Polypropylene seat and integral arms in a range of colours with 50mm thick foam and upholstered in a wide range of range of fabrics.

**Frame:** Cantilever frame with 22mm diameter tube steel, chrome finish. Black glides.

---

### Product Environmental Certification



---

### Delivery

This range is delivered pre-assembled by the Flexiform installation team, wrapped for protection.

---

### Environmental Data

Recycled Content: 24.08%

Recyclable Content: 78.54%

---

### Product Warranty

10 years subject to our standard T&C's.

See the Flexiform Standard Warranty document for more information.

flexiform

---

### Dimensions

Overall Width: 615mm

Overall Depth: 530mm

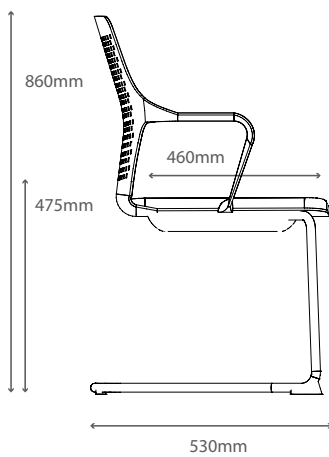
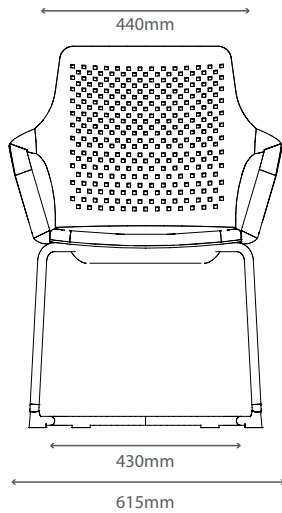
Overall Height: 860mm

Seat Height: 475mm

Seat Width: 430mm

Seat Depth: 460mm

Back Width: 440mm



---

### Materials

Base Material: PPGF10 - 100% virgin material. 100% recyclability.

Rear Hook for Shell Fixing (<50gr. weight), Underseat, Glide (<50gr. weight): PA - 100% virgin material. 100% recyclability.

---

### Fabric Seat

Available in a range of fabric brands from group 1-5 and leather. Choose from Camira, Gabriel, Inloom & Agua fabrics as standard. More brands available upon request.

---

### Base Finishes

Standard Flexiform finishes.



Chrome Leg

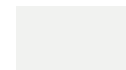
---

### Plastic Finishes

Standard Flexiform finishes.



Black Plastic Seat & Back  
Code: BK



White Plastic Seat & Back  
Code: WH



Light Grey Plastic Seat & Back  
Code: GY



Turquoise Plastic Seat & Back  
Code: TU