



## flexi-work draughtsman stool datasheet

---

### Extent of Range

Flexi-work stool to compliment the Flexi-Work chair range.



---

### Features

Type: Draughtsman chairs

Back: Perforated polypropylene curved back in a range of colours.

Seat: Polypropylene seat and integral arms in a range of colours with 50mm thick foam and upholstered in a wide range of range of fabrics.

Frame: Black nylon base with castors and integral foot ring.

---

### Product Certification

EN 16139:2013

---

### Product Environmental Certification



---

### Delivery

This range is delivered pre-assembled by the Flexiform installation team, wrapped for protection.

---

### Environmental Data

Recycled Content: 24.08%

Recyclable Content: 78.54%

---

### Product Warranty

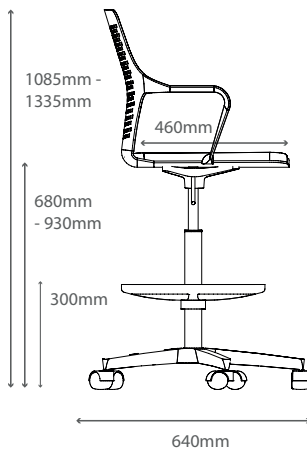
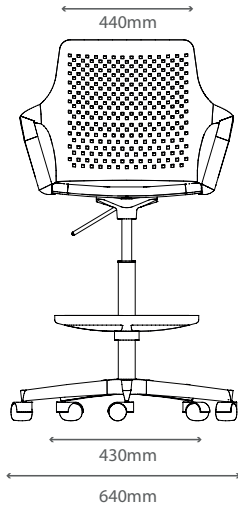
10 years subject to our standard T&C's.

See the Flexiform Standard Warranty document for more information.

---

## Dimensions

Overall Width: 640mm  
Overall Depth: 640mm  
Overall Height: 1085mm - 1335mm  
Seat Height: 680mm - 930mm  
Seat Width: 430mm  
Seat Depth: 460mm  
Back Width: 440mm  
Footrest from Floor: 300mm



---

## Materials

**Base Material:** Rear Hook for Shell Fixing (<50gr. weight), Underseat, Glide (<50gr. weight): PA - 100% virgin material. 100% recyclability.

---

## Fabric Seat

Available in a range of fabric brands from group 1-5 and leather. Choose from Camira, Gabriel, Inloom & Agua fabrics as standard. More brands available upon request.

---

## Base Finishes

Standard Flexiform finishes.



Black base

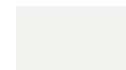
---

## Plastic Finishes

Standard Flexiform finishes.



Black Plastic Seat & Back  
Code: BK



White Plastic Seat & Back  
Code: WH



Light Grey Plastic Seat & Back  
Code: GY



Turquoise Plastic Seat & Back  
Code: TU