



## flexi-work raised polished base chair datasheet

---

### Extent of Range

Flexi-work chairs with cantilever, 4 leg, raised polished base and 5 star base with optional tilt mechanisms.



---

### Delivery

This range is delivered pre-assembled by the Flexiform installation team, wrapped for protection.

---

### Product Warranty

10 years subject to our standard T&C's. See the Flexiform Standard Warranty document for more information.

---

### Features

**Type:** Raised polished base

**Back:** Perforated polypropylene curved back in a range of colours.

**Seat:** Polypropylene seat and integral arms in a range of colours with 50mm thick foam and upholstered in a wide range of range of fabrics.

**Frame:** 720mm diameter polished aluminium raised base or black.

---

### Product Certification

EN 16139:2013

---

### Product Environmental Certification



---

### Environmental Data

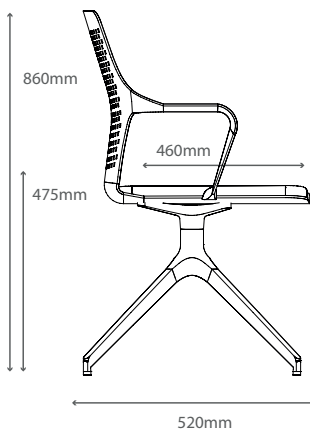
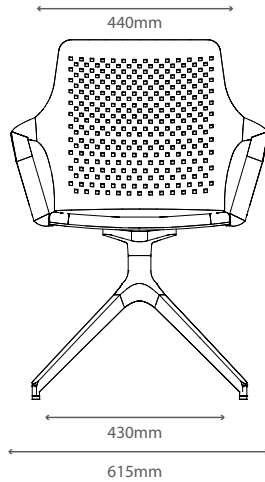
Recycled Content: 24.08%

Recyclable Content: 78.54%

---

### Dimensions

Overall Width: 615mm  
Overall Depth: 520mm  
Overall Height: 860mm  
Seat Height: 475mm  
Seat Width: 430mm  
Seat Depth: 460mm  
Back Width: 440mm



---

### Materials

**Base Material:** PPGF10 - 100% virgin material. 100% recyclability.

Rear Hook for Shell Fixing (<50gr. weight),  
Underseat, Glide (<50gr. weight): PA -  
100% virgin material. 100% recyclability.

---

### Fabric Seat

Available in a range of fabric brands from group 1-5 and leather. Choose from Camira, Gabriel, Inloom & Agua fabrics as standard. More brands available upon request.

---

### Base Finishes

Standard Flexiform finishes.



Polished aluminium base  
Code: P



Black Base  
Code: B

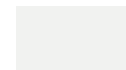
---

### Plastic Finishes

Standard Flexiform finishes.



Black Plastic Seat & Back  
Code: BK



White Plastic Seat & Back  
Code: WH



Light Grey Plastic Seat & Back  
Code: GY



Turquoise Plastic Seat & Back  
Code: TU