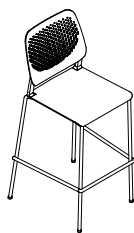




one-shot stool datasheet

Extent of Range

One-Shot stool with integral footrest



Features

Type: Stool

Back: Perforated polypropylene curved back in a range of colours.

Seat: Polypropylene seat in a range of colours or upholstered with 30mm thick foam.

4 Leg Frame: 18mm steel rod skid base with clear glides finished in chrome.
Integral footrest.

Product Environmental Certification



Environmental Manufacturing

Recycled Content: 8.60%

Recyclable Content: 100%

Delivery

This range is delivered pre-assembled by the Flexiform installation team, wrapped for protection.

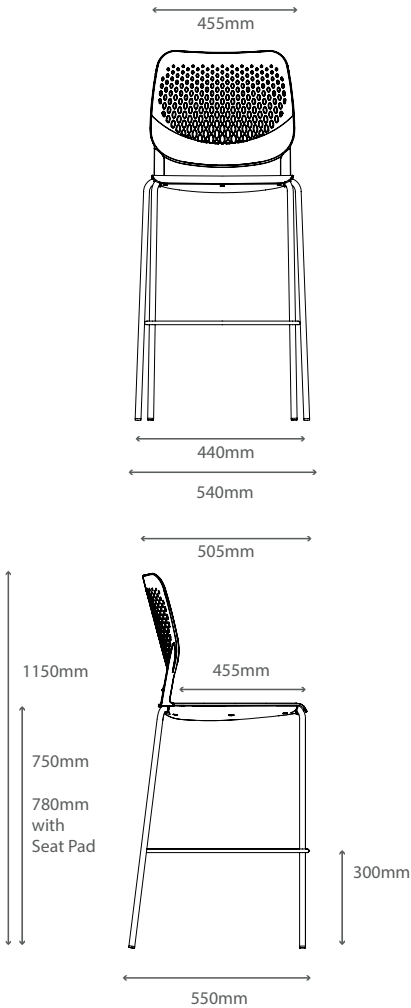
Product Warranty

10 years subject to our standard T&C's.
See the Flexiform Standard Warranty document for more information.

flexiform

Dimensions

Overall Width: 540mm
Overall Depth: 550mm
Overall Height: 1150mm
Seat Height: 750mm/780mm
Seat Width: 440mm
Seat Depth: 455mm
Back Width: 445mm
Footrest from Floor: 300mm



Materials

Polypropylene: Light weight plastic moulded and shaped to give an ergonomic seat. The hardwearing material will withstand everyday use.

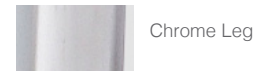
Steel: 18mm steel rod on 4 legged frame finished in chrome. Trivalent chromium (tri-chrome) plating provides added protection extending the product lifecycle.

Optional Fabric Seat Pad

Available in a range of fabric brands from group 1-5 and leather. Choose from Camira, Gabriel, Inloom & Agua fabrics as standard. More brands available upon request.

Base Finishes

Standard Flexiform finishes.



Plastic Finishes

Standard Flexiform finishes.

