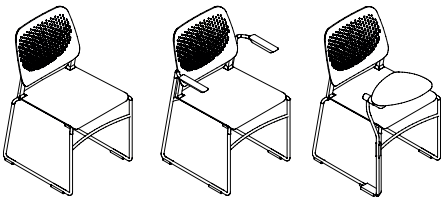




one-shot stacking chair /skid base datasheet

Extent of Range

One-Shot stacking dining chair with various base and arm options.



Delivery

This range is delivered pre-assembled by the Flexiform installation team, wrapped for protection.

Product Warranty

10 years subject to our standard T&C's. See the Flexiform Standard Warranty document for more information.

Features

Type: High density stacking multi-use chairs.

Back: Perforated polypropylene curved back in a range of colours.

Seat: Polypropylene seat in a range of colours or upholstered with 30mm thick foam.

Skid Base Frame: 11mm steel rod 4 leg frame with feet levelling and finished in chrome or black paint.

Optional Arms: Rod arms with plastic sleeve armrests to match the back colour. Option for open loop arms. Please note, rod arms will always be chrome.

Optional Writing Tablet: Foldable black writing tablet which clips to the frame.

Stacking: **Stacking:** Freestanding: 6 plastic chairs or 3 plastic chairs with upholstered seat pads. With stacking trolley: 20 plastic chairs or 12 plastic chairs with upholstered seat pads.

Optional Linking: Optional linking mechanisms available.

Product Certification

EN 16139:2013 Test Level 2. Strength, durability and safety requirements for commercial seating.

Manufactured to ISO 9001, ISO 14001 & ISO 18001.

Product Environmental Certification



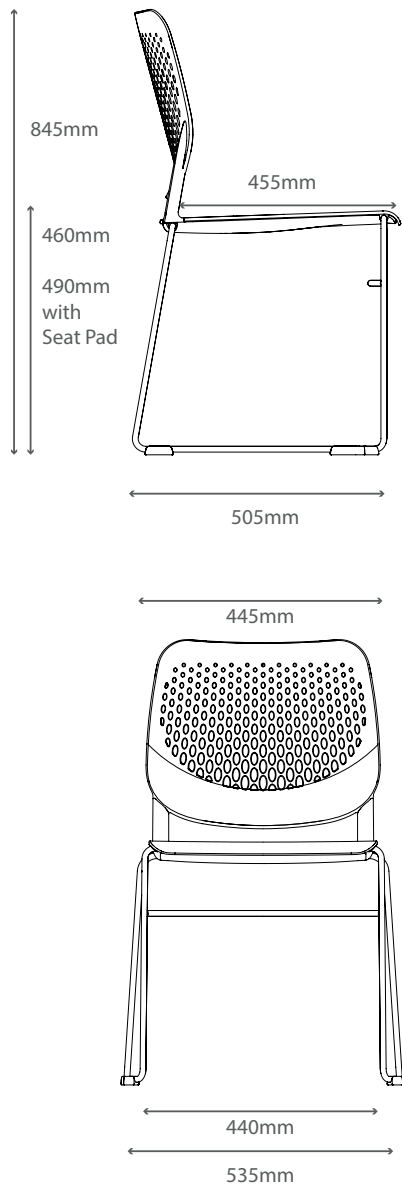
Environmental Manufacturing

Recycled Content: 8.60%

Recyclable Content: 100%

Dimensions

Overall Width Without Arms: 535mm
Overall Width With Arms: 580mm
Overall Depth: 505mm
Overall Height: 845mm
Seat Height: 460mm
Seat Width: 440mm
Seat Depth: 455mm
Back Width: 445mm
Overall Arm Height: 670mm
Arm Height from Seat: 210mm



Materials

Polypropylene: Light weight plastic moulded and shaped to give an ergonomic seat. The hardwearing material will withstand all elements of everyday use.

Steel: 11mm on skid frame finished in chrome or black paint. Trivalent chromium (tri-chrome) plating provides added protection extending the product lifecycle.

Optional Fabric Seat Pad

Available in a range of fabric brands from group 1-5 and leather. Choose from Camira, Gabriel, Inloom & Agua fabrics as standard. More brands available upon request.

Base Finishes

Standard Flexiform finishes.



Chrome Leg & Arms
Code: C



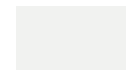
Black Legs Only
Code: B

Plastic Finishes

Standard Flexiform finishes.



Black Plastic Seat & Back
Code: BK



White Plastic Seat & Back
Code: WH



Cream Plastic Seat & Back
Code: CM



Dark Red Plastic Seat & Back
Code: DR



Dark Blue Plastic Seat & Back
Code: DB