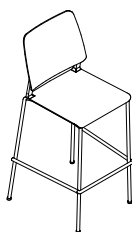




melita stool datasheet

Extent of Range

Melita stool with 4 chrome legs and footrest



Delivery

This range is delivered pre-assembled by the Flexiform installation team, wrapped for protection.

Product Warranty

10 years subject to our standard T&C's.
See the Flexiform Standard Warranty document for more information.

Features

Type: Stool

Back: Solid polypropylene curved back in a range of colours.

Seat: Polypropylene seat in a range of colours or upholstered with 30mm thick foam.

4 Leg Frame: 18mm steel rod skid base with clear glides finished in chrome.
Integral footrest

Product Environmental Certification



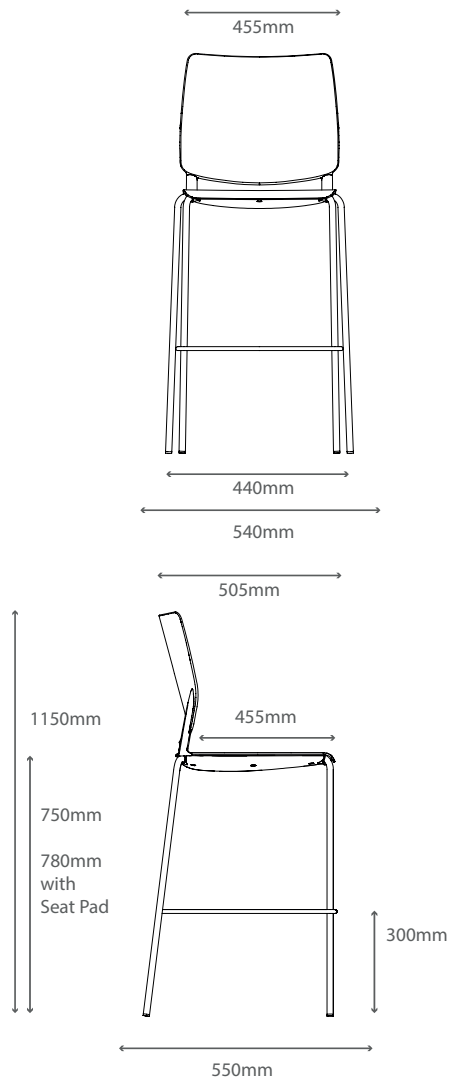
Environmental Manufacturing

Recycled Content: 8.60%

Recyclable Content: 100%

Dimensions

Overall Width: 540mm
Overall Depth: 550mm
Overall Height: 1150mm
Seat Height: 750mm / 780mm
Seat Width: 440mm
Seat Depth: 455mm
Back Width: 445mm
Footrest from floor: 300mm



Materials

Polypropylene: Light weight plastic moulded and shaped to give an ergonomic seat. The hardwearing material will withstand all elements of everyday use.

Steel: 18mm steel rod on 4 legged frame finished in chrome. Trivalent chromium (tri-chrome) plating provides added protection extending the product lifecycle.

Optional Fabric Seat Pad

Available in a range of fabric brands from group 0 – 8. Choose from Camira and Gabriel fabrics as standard. More brands available upon request.

Base Finishes

Standard Flexiform finishes.



Chrome Leg

Plastic Finishes

Standard Flexiform finishes.



Black Plastic Seat & Back
Code: BK



Grey Plastic Seat & Back
Code: GY



White Plastic Seat & Back
Code: WH



Cream Plastic Seat & Back
Code: CM



Green Plastic Seat & Back
Code: GN



Dark Red Plastic Seat & Back
Code: DR



Dark Blue Plastic Seat & Back
Code: DB