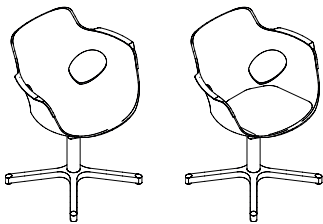




olé mono-shell chair /4 star base datasheet

Extent of Range

Olé chair with a choice of 4 frame styles; 4 leg, skid base, polished aluminium 4 star, and polished aluminium 5 star with castors.



Delivery

This range is delivered pre-assembled by the Flexiform installation team, wrapped for protection.

Product Warranty

10 years subject to our standard T&C's. See the Flexiform Standard Warranty document for more information.

Features

Type: Mono-shell chair.

Shell: One piece moulded polypropylene shell.

Arms: Integrated lip arms with open section.

Base: Polished aluminium 4 star base with 180 degree swivel mechanism.

Optional Upholstered Seat Pad: 30mm thick CMHR foam core with fabric upholstery in various fabrics with Velcro fastening.

Product Certification

BS EN 16139:2013 Test Level 1 & 2. Strength, durability and safety requirements for commercial seating.

Manufactured to ISO 9001, ISO 14001 & ISO 18001.

Product Environmental Certification



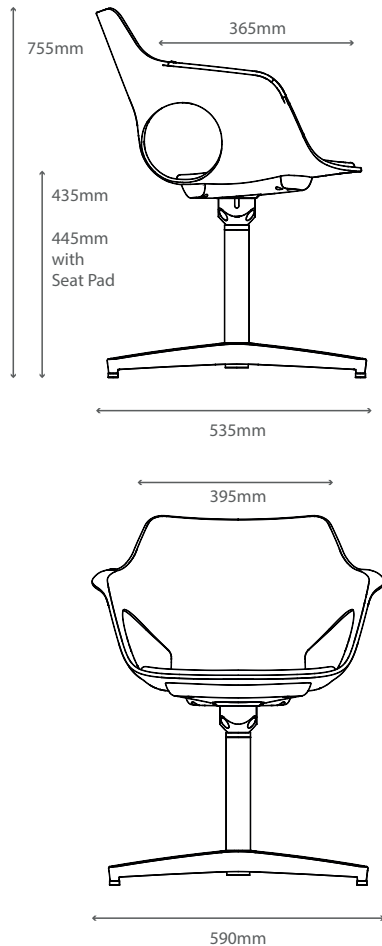
Environmental Data

Recycled Content: 24.83%

Recyclable Content: 91.61%

Dimensions

Overall Width: 590mm
Overall Depth: 535mm
Overall Height: 755mm
Seat Height: 435mm
Seat Width: 395mm
Seat Depth: 365mm
Back Width: 395mm



Materials

Polypropylene: Lightweight plastic moulded and shaped to give an ergonomic seat. The hardwearing material will withstand all elements of everyday use.

Aluminium: Strong and lightweight material with ability to be cast to varying shapes. Aluminium is also a sound absorber and is 100% recyclable.

Optional Fabric Seat Pad

Available in a range of fabric brands from group 1-5 and leather. Choose from Camira, Gabriel, Inloom & Agua fabrics as standard. More brands available upon request.

Base Finishes

Standard Flexiform finishes.



Polished Aluminium

Mono-Shell Finishes

Standard Flexiform finishes.



Dark Grey Mono-Shell
Code: DG



White Mono-Shell
Code: WH



Cream Mono-Shell
Code: CM



Mustard Mono-Shell
Code: MU