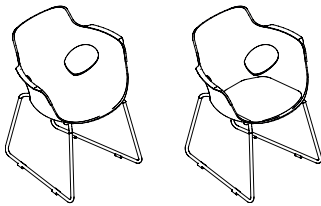




olé mono-shell chair /skid frame datasheet

Extent of Range

Olé chair with a choice of 4 frame styles; 4 leg, skid base, polished aluminium 4 star, and polished aluminium 5 star with castors.



Delivery

This range is delivered pre-assembled by the Flexiform installation team, wrapped for protection.

Product Warranty

10 years subject to our standard T&C's. See the Flexiform Standard Warranty document for more information.

Features

Type: Mono-shell chair.

Shell: One piece moulded polypropylene shell.

Arms: Integrated lip arms with open section

Frame: 12mm steel rod skid base with clear glides finished in chrome.

Optional Upholstered Seat Pad: 30mm thick CMHR foam core with fabric upholstery in various fabrics with Velcro fastening.

Product Certification

BS EN 16139:2013 Test Level 1 & 2. Strength, durability and safety requirements for commercial seating.

Manufactured to ISO 9001, ISO 14001 & ISO 18001.

Product Environmental Certification



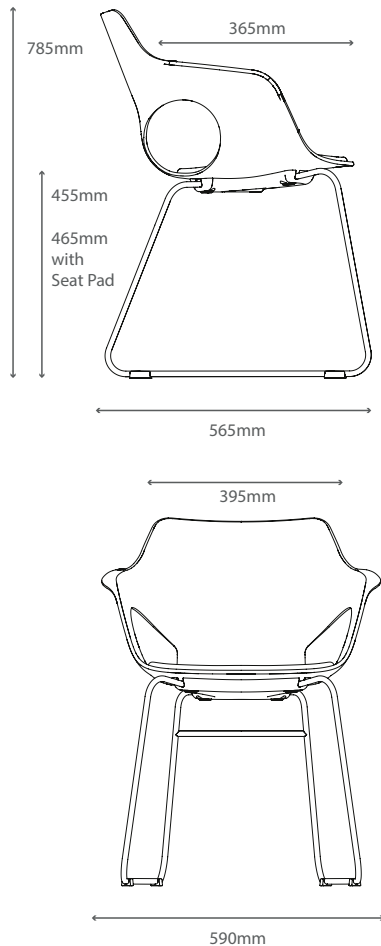
Environmental Data

Recycled Content: 24.83%

Recyclable Content: 91.61%

Dimensions

Overall Width: 590mm
Overall Depth: 565mm
Overall Height: 785mm
Seat Height: 455mm
Seat Width: 395mm
Seat Depth: 365mm
Back Width: 395mm



Materials

Polypropylene: Lightweight plastic moulded and shaped to give an ergonomic seat. The hardwearing material will withstand all elements of everyday use.

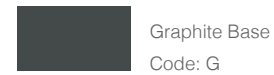
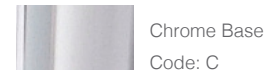
Steel: 12mm steel tube finished in chrome. Trivalent chromium (tri-chrome) plating provides added protection extending the product lifecycle.

Optional Fabric Seat Pad

Available in a range of fabric brands from group 1-5 and leather. Choose from Camira, Gabriel, Inloom & Agua fabrics as standard. More brands available upon request.

Base Finishes

Standard Flexiform finishes.



Mono-Shell Finishes

Standard Flexiform finishes.

