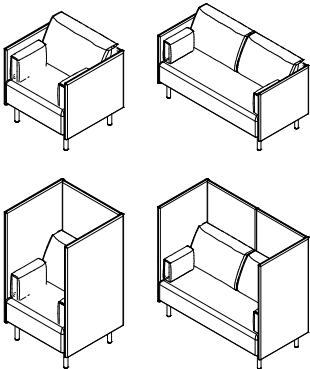




cote sofa datasheet

Extent of Range

Armchair and two-seater sofas are available in low and high-back options. (Please note, line drawings shown with optional bolster cushions)



Delivery

This range is delivered in components and assembled on-site by the Flexiform installation team, wrapped for protection.

Product Warranty

7 years subject to our standard T&C's. Electrics have a 3 year warranty, excluding fuses. See the Flexiform Standard Warranty document for more information.

Features

Type: Low-back and high-back armchairs and sofa.

Leg: Ø38mm mild steel tube legs in black or lockable castors.

Frame: Welded steel frame with premium furniture-grade foam and polyester fibre cushion fillings. Serpentine springs offer maximum support.

Upholstery: Single or two-tone fabric at no additional charge. Two-tone fabric split to sides/ internal cushions.

Optional Cushions: Optional additional bolster cushions. When two-tone fabric is selected, the bolster cushions will automatically match the internal fabric.

Optional Power: An OE Electric Phase power module can be fitted to the underside front of the chair/ sofa. Bracket required. Not included as standard.

Materials

Steel: Powder coated steel with minimum paint coverage thickness of 35 Microns. Indentation, cross cut+adhesion and bend tested. 55% recycled content. 100% recyclable.

Dimensions

Overall Width: 790mm (armchair) or 1520mm (sofa)

Overall Depth: 760mm

Overall Height: 790mm (low back) or 1400mm (high back)

Environmental

Recycled Content: 59.58%

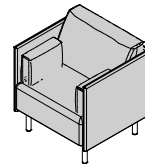
Recyclable Content: 100%

(Based on a 4 person media booth)

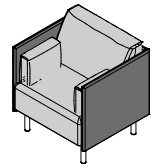
Fabric

Fabrics are available in a range of fabric brands from group 1-5 and leather. Choose from Camira, Panaz, Inloom & Agua fabrics as standard. More brands available upon request.

Single Fabric



Two Tone Fabric



Leg Frame



Black. RAL9011

flexiform

*All images are shown with optional bolster cushions