

## papillon chair / skid base datasheet

---

### Extent of Range

Papillon chair with black skid base.  
Available with a plastic shell, plastic shell with seat pad, plastic shell with inside upholstery, or fully upholstered.



---

### Delivery

This range is delivered pre-assembled by the Flexiform installation team, wrapped for protection.

---

### Product Warranty

7 years subject to our standard T&C's. See the Flexiform Standard Warranty document for more information.

---

### Features

**Type:** Standalone meeting/ breakout/ work chair.

**Frame:** Black Ø11mm skid frame with black glides.

**Shell:** Two-piece moulded polypropylene shells.

**Upholstery:** Seat pad, inside upholstery or fully upholstered. Single upholstery as standard. 10mm thick CMHR foam.

---

### Materials

**Steel:** 11mm steel rod painted in black paint.

**PP:** Polypropylene shell manufactured from 100% Virgin materials and is 100% recyclable.

---

### Product Certification

EN 16139:2013 + AC: 2013, EN 1727:2012+ AC: 2013, EN 1022:2005, EN 1022: 2018

Manufactured to ISO 9001, ISO 14001 & ISO 45001.

---

### Environmental Certification



---

### Environmental

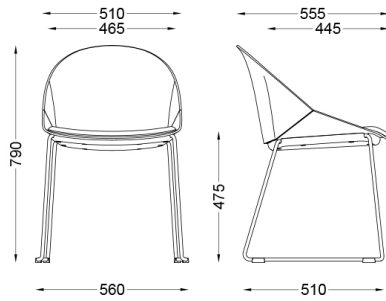
Recycled Content: 0%

Recyclable Content: 100%

---

### Dimensions

Overall Width: 560mm  
Overall Depth: 555mm  
Overall Height: 790mm  
Seat Height: 475mm  
Seat Width: 465mm  
Seat Depth: 445mm  
Back Width: 510mm



---

### Base Finishes

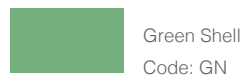
Standard Flexiform finishes.



---

### Shell Finishes

Standard Flexiform finishes.



---

### Fabric

Fabrics are available in a range of fabric brands from group 1-5 and leather. Choose from Camira, Panaz, Inloom & Agua fabrics as standard. More brands available upon request.